

State of California
AIR RESOURCES BOARD

EXECUTIVE ORDER A-122-1
Relating to Certification of New Motor Vehicles

ARMBRUSTER/STAGEWAY, INC.

Pursuant to the authority vested in the Air Resources Board by Sections 43100, 43102, and 43103 of the Health and Safety Code; and

Pursuant to the authority vested in the undersigned by Sections 39515 and 39516 of the Health and Safety Code and Executive Order G-45-3;

IT IS ORDERED AND RESOLVED: That Armbruster/Stageway, Inc. exhaust emission control systems for 1977 model-year passenger cars are certified for the engine family described below:

- Engine Family: GM 760J0
- Engine: 350 CID
- Transmission: 3-speed automatic
- Exhaust Emission Control Systems: Air Injection, Oxidation Catalyst, Exhaust Gas Recirculation

Model: Long Wheelbase Seville

The following are the recommended values to be listed on the window decal required by California Assembly-Line Test Procedures for 1977 model-year vehicles:

<u>Engine Family</u>	<u>Hydrocarbons Grams per Mile</u>	<u>Carbon Monoxide Grams per Mile</u>	<u>Nitrogen Oxides Grams per Mile</u>
GM 760J0	0.38	4.2	1.5

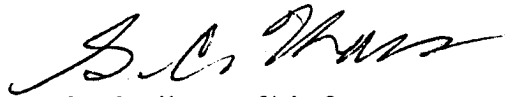
BE IT FURTHER RESOLVED: That this certification is contingent upon Armbruster/Stageway, Inc. affixing a permanent catalyst overheat warning label on the driver's sun-visor of all catalyst-equipped vehicles. This label must be approved by the Executive Officer.

BE IT FURTHER RESOLVED: That this certification is also contingent upon Armbruster/Stageway, Inc. listing in the owner's manual the operating cautions associated with a catalyst-equipped vehicle. This listing must be approved by the Executive Officer.

Vehicles certified under this Executive Order must conform to all applicable California emission regulations.

The Department of Motor Vehicles, the California Highway Patrol, and the Bureau of Automotive Repair will be notified by copy of this order and attachment.

Executed at El Monte, California, this 20 day of January, 1977.



G. C. Hass, Chief
Vehicle Emissions Control Division

1977 AIR RESOURCES BOARD SUPPLEMENTAL DATA SHEET
Passenger Cars

Manufacturer Armbruster/Stagewav, Inc. Executive Order No. A-122-1 Page 1

Engine Family GM760J0 Engine (CID) 350 Transm. A-3

Emission Control System AI, OC, EGR +10%(A/C) Yes No

Vehicle Models (If Coded see attachment)	Transmission Type	Inertia Weight	Distributor	Fuel System	EGR System	Engine Code	Tune-Up Label Ident. & Page No.
			Type HEI C,V Mfgr. Part Number	Type EFI Mfgr. Part Number	Part No. Service*		
Long Wheelbase Seville	A-3	4500	Delco Remy 1103222	Bendix 1610815 (ECU P/N)	17053046 No Service	1 1A 1C	KL 2 KS 2

Comments

Date of Issue 011777.

Abbreviations

D - Distributor
C - Centrifugal Advance
V - Vacuum Advance
HEI - High
EI - Electronic Ignition
Fuel System
EFI, FI

Exhaust Emission Control System

AI - Air Injection
CAI - Catalyst Air Injection
EFI - Electronic Fuel Injection
EGR - Exhaust Gas Recirculation
EM - Engine Modification
EFE - Early Fuel Evaporation
ESAC - Electronic Spark Advance Control

FI - Fuel Injection

OC - Oxidation Catalyst
*Service
I - Inspect, repair/replace as needed
R - Replace

Manufacturer Armbruster/Stageway, Inc. Executive Order No. A-122-1 Page 2
 Engine Family GM 760J0 Engine (CID) 350

ML 760J0 VEHICLE EMISSION CONTROL INFORMATION
 CADILLAC DIVISION GENERAL MOTORS CORPORATION

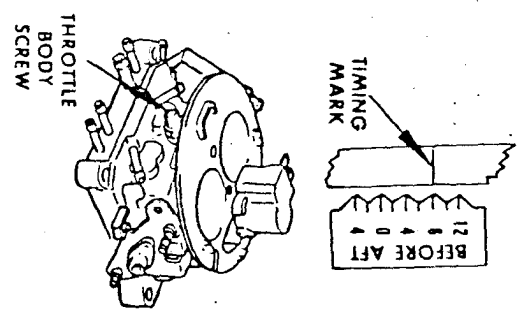
WITH ENGINE AT NORMAL OPERATING TEMPERATURE, AIR CLEANER OFF, AIR CONDITIONING OFF, AND AIR LEVELING COMPRESSOR DISCONNECTED WITH THE VACUUM LINE PLUGGED, IF SO EQUIPPED, MAKE ENGINE ADJUSTMENTS AS FOLLOWS:

1. DISCONNECT AND PLUG VACUUM LINE TO PARKING BRAKE RELEASE TO PREVENT AUTOMATIC RELEASE OF PARKING BRAKE WHEN SHIFTING TRANSMISSION IN STEPS 4 AND 5.
 2. SET PARKING BRAKE AND BLOCK WHEELS.
 3. DISCONNECT AND PLUG DISTRIBUTOR VACUUM LINE.
 4. PLACE TRANSMISSION IN "PARK" AND SET TIMING AT SPECIFIED R.P.M.
 5. RECONNECT DISTRIBUTOR VACUUM LINE. PLACE TRANSMISSION IN "DRIVE" AND ADJUST THROTTLE BODY SCREW TO SPECIFIED R.P.M.
 6. RECONNECT AIR LEVELING COMPRESSOR AND PARKING BRAKE RELEASE LINES.
- NOTE: DO NOT DEPRESS SERVICE BRAKE PEDAL WHILE SETTING IDLE SPEEDS.
 SEE SERVICE MANUAL AND MAINTENANCE SCHEDULE I FOR ADDITIONAL INFORMATION.
 THIS VEHICLE CONFORMS TO U.S.E.P.A. AND WHERE APPLICABLE CALIFORNIA REGULATIONS APPLICABLE TO 1977 MODEL YEAR NEW MOTOR VEHICLES.

CATALYST-A.I.R.-E.G.R. LOW ALTITUDE CERTIFICATION

TIMING (DEG. B.T.D.C. @ R.P.M.)	8 @ 600
SPARK PLUG GAP (INCHES)	.060
THROTTLE BODY SCREW (R.P.M.)	650

ELECTRONIC FUEL INJECTION
 NO ADJUSTMENT PROVISIONS EXIST FOR IDLE FUEL MIXTURE.



PART NO. 1611464

IKS 760J0 VEHICLE EMISSION CONTROL INFORMATION
 CADILLAC DIVISION GENERAL MOTORS CORPORATION

WITH ENGINE AT NORMAL OPERATING TEMPERATURE, AIR CLEANER OFF, AIR CONDITIONING OFF, AND AIR LEVELING COMPRESSOR DISCONNECTED WITH THE VACUUM LINE PLUGGED, IF SO EQUIPPED, MAKE ENGINE ADJUSTMENTS AS FOLLOWS:

1. DISCONNECT AND PLUG VACUUM LINE TO PARKING BRAKE RELEASE TO PREVENT AUTOMATIC RELEASE OF PARKING BRAKE WHEN SHIFTING TRANSMISSION IN STEPS 4 AND 5.
 2. SET PARKING BRAKE AND BLOCK WHEELS.
 3. DISCONNECT AND PLUG DISTRIBUTOR VACUUM LINE.
 4. PLACE TRANSMISSION IN "PARK" AND SET TIMING AT SPECIFIED R.P.M.
 5. RECONNECT DISTRIBUTOR VACUUM LINE. PLACE TRANSMISSION IN "DRIVE" AND ADJUST THROTTLE BODY SCREW TO SPECIFIED R.P.M.
 6. RECONNECT AIR LEVELING COMPRESSOR AND PARKING BRAKE RELEASE LINES.
- NOTE: DO NOT DEPRESS SERVICE BRAKE PEDAL WHILE SETTING IDLE SPEEDS.
 SEE SERVICE MANUAL AND MAINTENANCE SCHEDULE I FOR ADDITIONAL INFORMATION.
 THIS VEHICLE CONFORMS TO U.S.E.P.A. AND WHERE APPLICABLE CALIFORNIA REGULATIONS APPLICABLE TO 1977 MODEL YEAR NEW MOTOR VEHICLES.

CATALYST-A.I.R.-E.G.R. LOW ALTITUDE CERTIFICATION

TIMING (DEG. B.T.D.C. @ R.P.M.)	6 @ 600
SPARK PLUG GAP (INCHES)	.060
THROTTLE BODY SCREW (R.P.M.)	650

ELECTRONIC FUEL INJECTION
 NO ADJUSTMENT PROVISIONS EXIST FOR IDLE FUEL MIXTURE.



PART NO. 1612595