

**Parts List for the DCL International, Incorporated (DCL)  
TITAN™ Diesel Particulate Filter (DPF) System  
Relating to Executive Order Series DE-12-002**

**Effective Date: March 9, 2015**

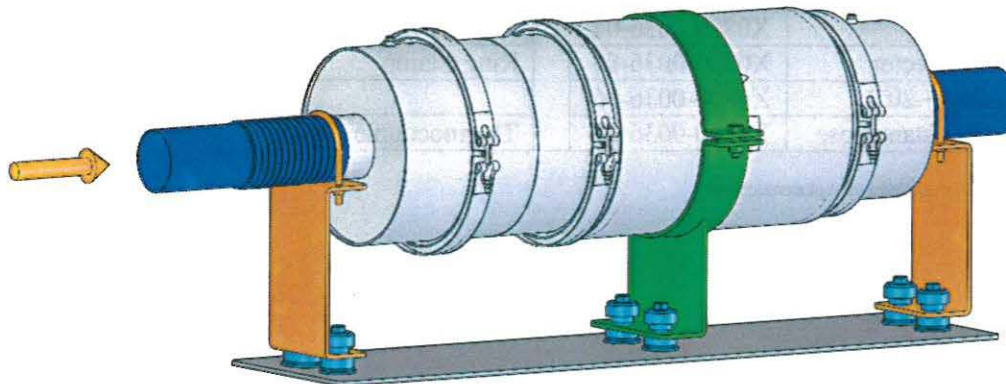
The TITAN™ DPFs is offered two different formats: custom packaged to install as direct muffler replacements or as a standard unit.

Below is a sample table to indicate the format of custom P/Ns which begin the digits 95.



End Disks	End Disk Gasket	Bolts
X1600-95XX-XX	X1900-95XX-XX	X0400-Q500-03

Below, part numbers are listed for standard DPFs.



	Part Number						
	End Cone*	Clamp	Gasket	Centrebody	End Cone*	Clamp	Gasket
DLT2**	X3308-XXXX-DX	X1208-CL00-DX	X1908-GR00-DX	CB00-FF-5S59-21	X3307-XXXX-DX	X1207-CL00-DX	X1907-GR00-DX
DLT2.9	X3308-XXXX-DX	X1208-CL00-DX	X1908-GR00-DX	CB00-FF-5SY3-21	X3307-XXXX-DX	X1207-CL00-DX	X1907-GR00-DX
DLT3	X3308-XXXX-DX	X1208-CL00-DX	X1908-GR00-DX	CB00-FF-5S57-21	X3307-XXXX-DX	X1207-CL00-DX	X1907-GR00-DX
DLT4	X3308-XXXX-DX	X1208-CL00-DX	X1908-GR00-DX	CB00-FF-5S55-21	X3307-XXXX-DX	X1207-CL00-DX	X1907-GR00-DX
DLT4.9	X3308-XXXX-DX	X1208-CL00-DX	X1908-GR00-DX	CB00-FF-5S53-21	X3307-XXXX-DX	X1207-CL00-DX	X1907-GR00-DX
DLT5	X3308-XXXX-DX	X1208-CL00-DX	X1908-GR00-DX	CB00-FF-5S52-21	X3307-XXXX-DX	X1207-CL00-DX	X1907-GR00-DX
DLT5.5	X3308-XXXX-DX	X1208-CL00-DX	X1908-GR00-DX	CB00-FF-5SG5-21	X3307-XXXX-DX	X1207-CL00-DX	X1907-GR00-DX
DLT5.9	X3308-XXXX-DX	X1208-CL00-DX	X1908-GR00-DX	CB00-FF-5SL5-21	X3307-XXXX-DX	X1207-CL00-DX	X1907-GR00-DX
DLT6	X3308-XXXX-DX	X1208-CL00-DX	X1908-GR00-DX	CB00-FF-5S51-21	X3307-XXXX-DX	X1207-CL00-DX	X1907-GR00-DX
DLT7	X3308-XXXX-DX	X1208-CL00-DX	X1908-GR00-DX	CB00-FF-5S56-21	X3307-XXXX-DX	X1207-CL00-DX	X1907-GR00-DX

\* Where "XXXX" represents the cone connection size in inches

\*\* Model DLT2\*\* cannot be sold as a single unit due to power requirements of Executive Order DE-12-002. Must be sold as a dual unit (2-DLT2) packaged in a single housing

	Part Number	
	Installation Kit	Heat Blanket
DLT2**	X1600-5S59-01	X2500-0059-FF
DLT2.9	X1600-5SY3-01	X2500-00Y3-FF
DLT3	X1600-5S57-01	X2500-0057-FF
DLT4	X1600-5S55-01	X2500-0055-FF
DLT4.9	X1600-5S53-01	X2500-0053-FF
DLT5	X1600-5S52-01	X2500-0052-FF
DLT5.5	X1600-5SG5-01	X2500-00G5-FF
DLT5.9	X1600-5SL5-01	X2500-00L5-FF
DLT6	X1600-5S51-01	X2500-0051-FF
DLT7	X1600-5S56-01	X2500-0056-FF

\*\* Model DLT2 cannot be sold as a single unit due to power requirements of Executive Order DE-12-002. Must be sold as a dual unit (2-DLT2) packaged in a single housing

Below, part numbers are listed for the DCL Exhaust Monitor/Logger system, used with custom and standard parts.

DCL Exhaust Monitor/Logger (System Part Number: X0800-0037-00)			
Control Box	X0800-0037-01	Fuse	X0800-0036-08
Cable Harness	X0800-0036-02	Fuse Holder	X0800-0036-09
Battery	X0800-0036-03	Condensate Trap	X0800-0036-15
Pressure Monitor Display	X0800-0036-04	¼" NPT – Hose Fitting	X0800-0036-19
Stainless Steel ¼" Connector	X0800-0036-05	Ring Clamp	X0800-0036-26
Stainless Steel Tubing (~20")	X0800-0036-06		
High Temperature Resistant Hose	X0800-0036-07	Thermocouple (5m)*	X0800-0036-23

\* Part of the Cable Harness but also available as a replacement part